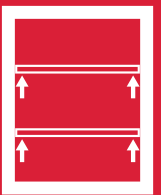
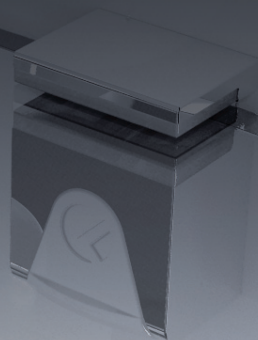


 **ITALIANA**<sup>®</sup>  
*f e r r a m e n t a*

Kubic



GLASS  
SHELF  
SUPPORTS





# SYMBOLS AND FINISHES LEGEND

## SYMBOLS



= SHELF SAFELY LOCKED DURING TRANSPORTATION AND AT HOME.



= ANTI-TURNOVER LOCKING SYSTEM



= NORMS / PATENTS



= PHILLIPS / POZIDRIV



= WITH BUFFER



= PART NO.



= BLADE SLOT



= WITH MAGNET



= PCS. PER PACKAGE



= COMBI SLOT



= HEXAGONAL SOCKET



= NEWTON



= CAPACITY LOADING



= HEXALOBULAR SOCKET



= FRICTION



= WOOD / GLASS THICKNESS



= COUNTERSUNK HEAD



= AUTOMATIC



= HOLE DIAMETER



= PAN HEAD



= DROP DOWN



= DIAMETER



= FLANGE HEAD



= LENGTH



= FLAT HEAD



= STANDARD HINGE



= HEIGHT



= TRILOBULAR SCREW



= KIMANA HINGE



= RIGHT VERSION



= SELF-TAPPING SCREW



= FLAP HINGE



= LEFT VERSION



= EURO THREAD



= WITH SPRING



= SETTING CODE



= METRIC THREAD



= WITHOUT SPRING



= PCS. PER PAD



= PRE-INSERTED SCREW



= REVERSED SPRING



= CUT ON REQUEST



= PRE-INSERTED SCREW AND SPREADING BUSH



= SELF ADHESIVE



= WITH FLANGE

NOTE: Printing errors and omissions may exist despite our best efforts to ensure accuracy. We reserve the right to alter specifications without notice.

## MATERIALS

**ZA** = Zinc Alloy

**ST** = Steel

**HSS** = High Speed Steel

**BR** = Brass

**ABS** = Acrylonitrile Butadiene Styrene

**ZAnk** = Nickel-plated Zinc Alloy

**STzk** = Zinc-plated Steel

**AL** = Aluminium

**WD** = Wood

**EVA** = Ethylene Vinyl Acetate

**EP** = **ENGINEERING PLASTIC**

+ **EP** = other engineering plastic available on request

**SR** = **SOFT RUBBER**

+ **SR** = other soft rubber available on request

**EPn** = Natural Engineering Plastic

**EPc** = Clear Engineering Plastic

**SRn** = Natural Soft Rubber

**EPw** = White Engineering Plastic

**EPg** = Grey Engineering Plastic

**SRw** = White Soft Rubber

**EPwg** = Water Green Engineering Plastic

**SRb** = Black Soft Rubber



## FINISHES



= OTHER FINISHES AVAILABLE ON REQUEST

PART NO.	FINISHES	PART NO.	FINISHES	PART NO.	FINISHES
<b>00</b>	Insignificant finish	<b>IF</b>	Middle Grey	<b>UT</b>	T-Met 9007
<b>AA</b>	Natural	<b>IJ</b>	Light Grey	<b>UZ</b>	T-Met
<b>AB</b>	White	<b>IL</b>	Grey 20	<b>WA</b>	Bronzed
<b>AE</b>	White 9010	<b>IN</b>	Grey met. 26	<b>WI</b>	Burnished
<b>EA</b>	Black	<b>JB</b>	Bright Aluminium	<b>XD</b>	Satin-finished Steel
<b>EC</b>	Matt Black	<b>JC</b>	Aluminium - Chrome	<b>YA</b>	Nickel-plated
<b>EE</b>	Anthracite	<b>JD</b>	Matt Aluminium	<b>YB</b>	Bright Nickel-plated
<b>EW</b>	Grey 9007	<b>JE</b>	Satin-finished Aluminium	<b>YC</b>	Matt Nickel-plated
<b>FU</b>	Gunmetal	<b>JF</b>	Aluminium - Brass	<b>YD</b>	Satin-finished Nickel-plated
<b>FV</b>	Gunmetal V52	<b>JG</b>	Aluminium 5	<b>YQ</b>	Black Nickel
<b>GR</b>	Raw	<b>JL</b>	Aluminium PE 11	<b>Z9</b>	Black Zinc
<b>HA</b>	Brass-Plated	<b>JM</b>	Aluminium RAL 9006	<b>ZA</b>	Zinc alloy
<b>HH</b>	Tropicalized	<b>KA</b>	Chrome	<b>ZN</b>	Zinc-plated
<b>HL</b>	Raw Brass	<b>KB</b>	Bright Chrome	<b>ZQ</b>	Bright Gold
<b>HX</b>	Graphite	<b>KC</b>	Matt Chrome	<b>ZY</b>	Titanium
<b>IA</b>	Grey	<b>NN</b>	Metallic Beige	<b>ZZ</b>	Clear
<b>IB</b>	Metallic Grey	<b>RO</b>	Red		



## KUBIC

KUBIC is the locking glass shelf support designed to match the contemporary aesthetic trends of the market. It is conceived to guarantee furniture transportation with glass shelves already assembled. Locking and unlocking of the glass shelf can be carried out manually without any tool. Glass is blocked on both upper and lower side by soft rubber layers, in accordance with the actual function and safety norms.

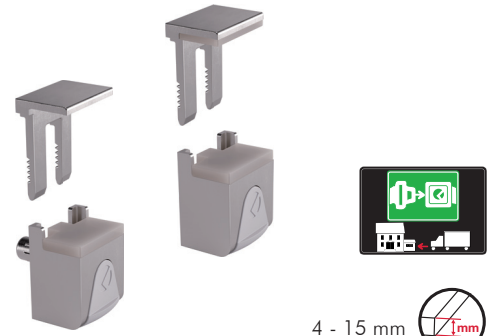
It is suitable for glass shelves with 4-15 mm thickness, but with longer upper bracket it can be used also with glass shelves up to 15mm thickness.

It is available in 4 different versions.

- Ø 3mm pin
- Ø 5mm pin
- screw hole for 3.5x16mm countersunk wood screw
- screw hole for M4x16mm countersunk screw

Version with 5mm pin is also available in black nickel finish.

All versions of KUBIC are in accordance with the European regulation UNI EN 14749/05.

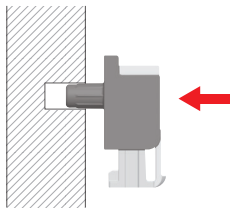


4 - 15 mm

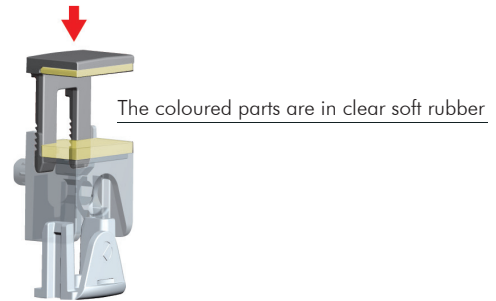
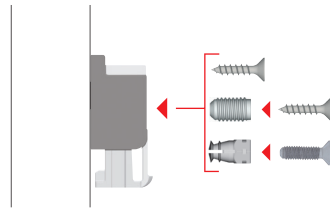
PAT. PENDING - UNI EN 14749/05

### INSTALLATION

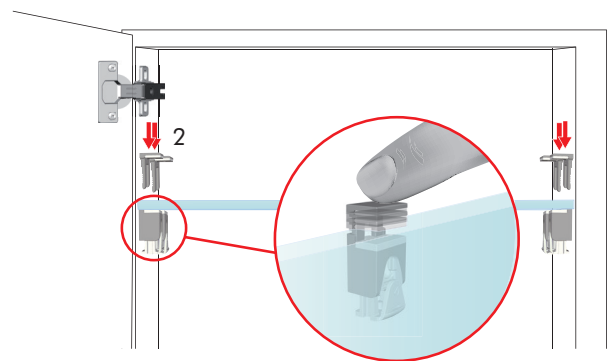
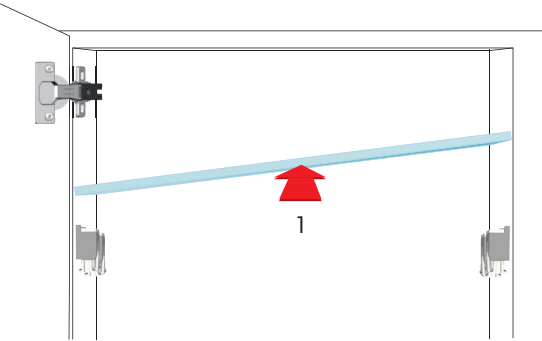
Assembling with smooth pin



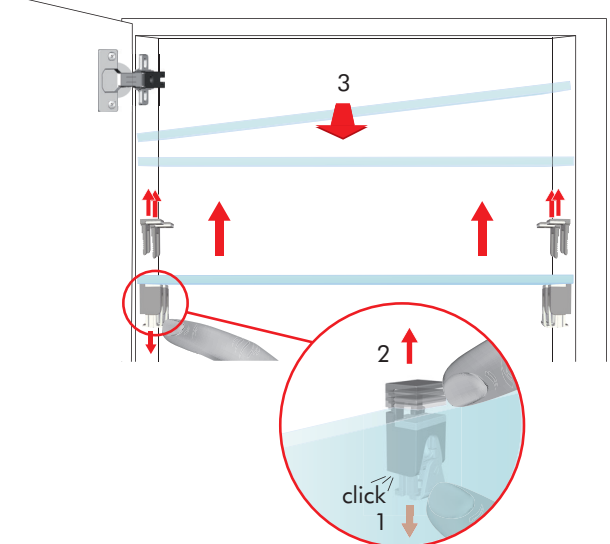
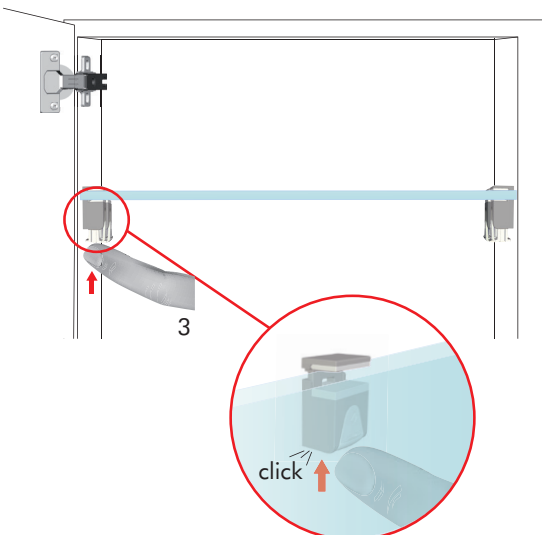
Assembling with alternative fixing options to achieve horizontal connection

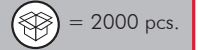
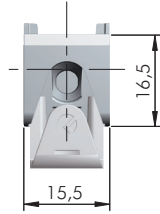
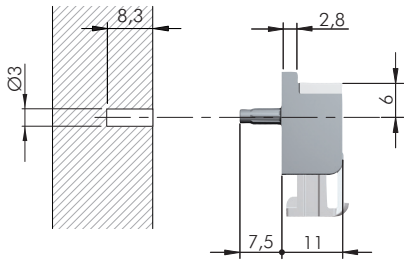


### SHELF INSTALLATION



### SHELF REMOVAL FOR NEW REPOSITIONING

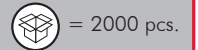
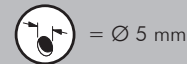
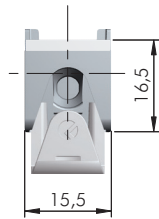
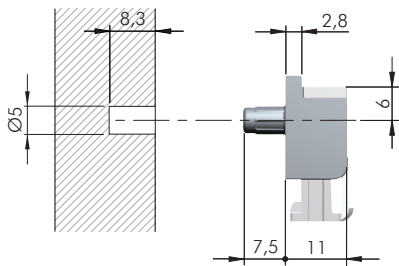




**16019010YA**



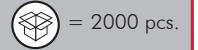
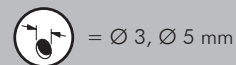
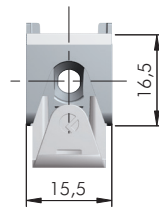
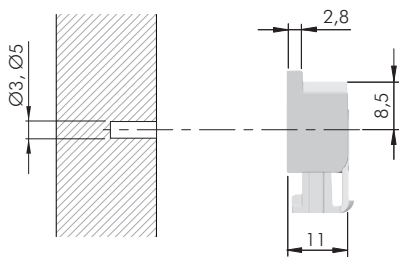
**16019011YA**



**16019020YA**



**16019021YA**

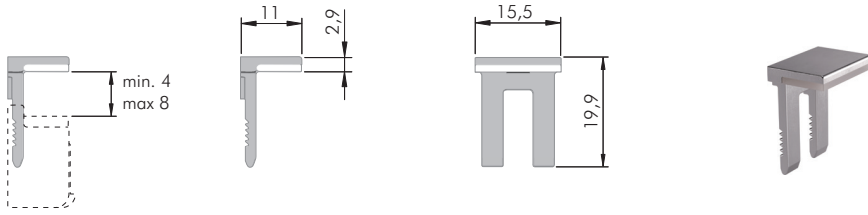


**16019030YA**



**16019031YA**



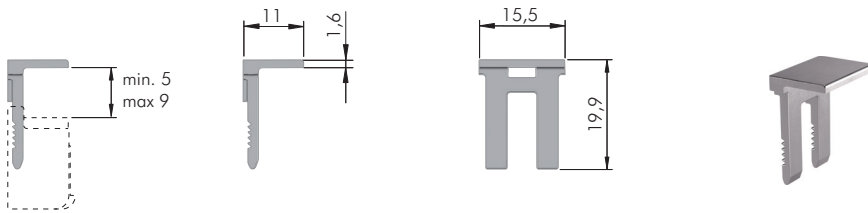


= 4 - 8 mm +

ZA SRn  = 2000 pcs.

123

**16019140YA**

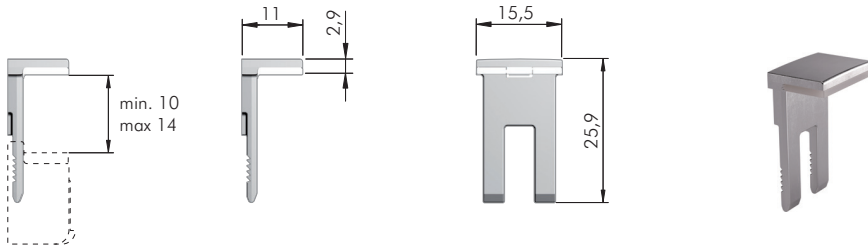


= 5 - 9 mm +

ZA  = 2000 pcs.

123

**16019130YA**

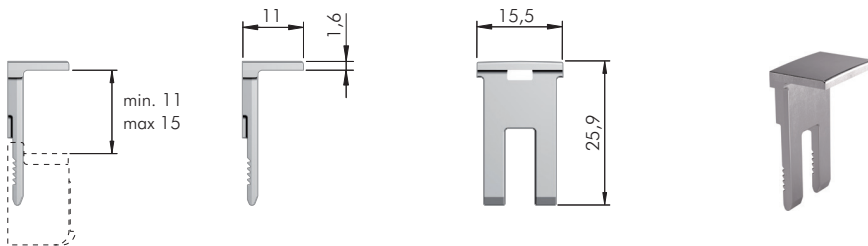


= 10 - 14 mm +

ZA SRn  = 2000 pcs.

123

**16019180YA**



= 11 - 15 mm +

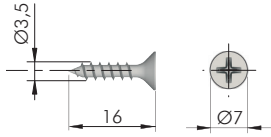
ZA  = 1000 pcs.

123

**16019170YA**

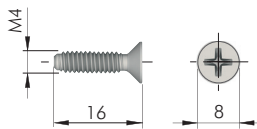


**KUBIC FIXING ACCESSORIES**



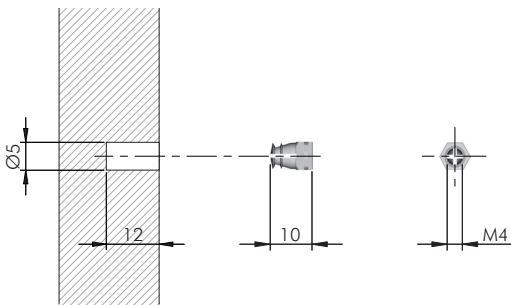
= Ø 3 mm  
 = PZ2  
 = 10.000 pcs.

123  
  
**60101390ZN**



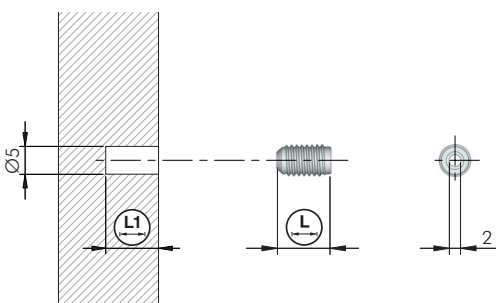
= M4 = PZ2  
 = 5000 pcs.

123  
  
**60305060ZN**



= Ø 5 mm = M4  
 = 10.000 pcs.

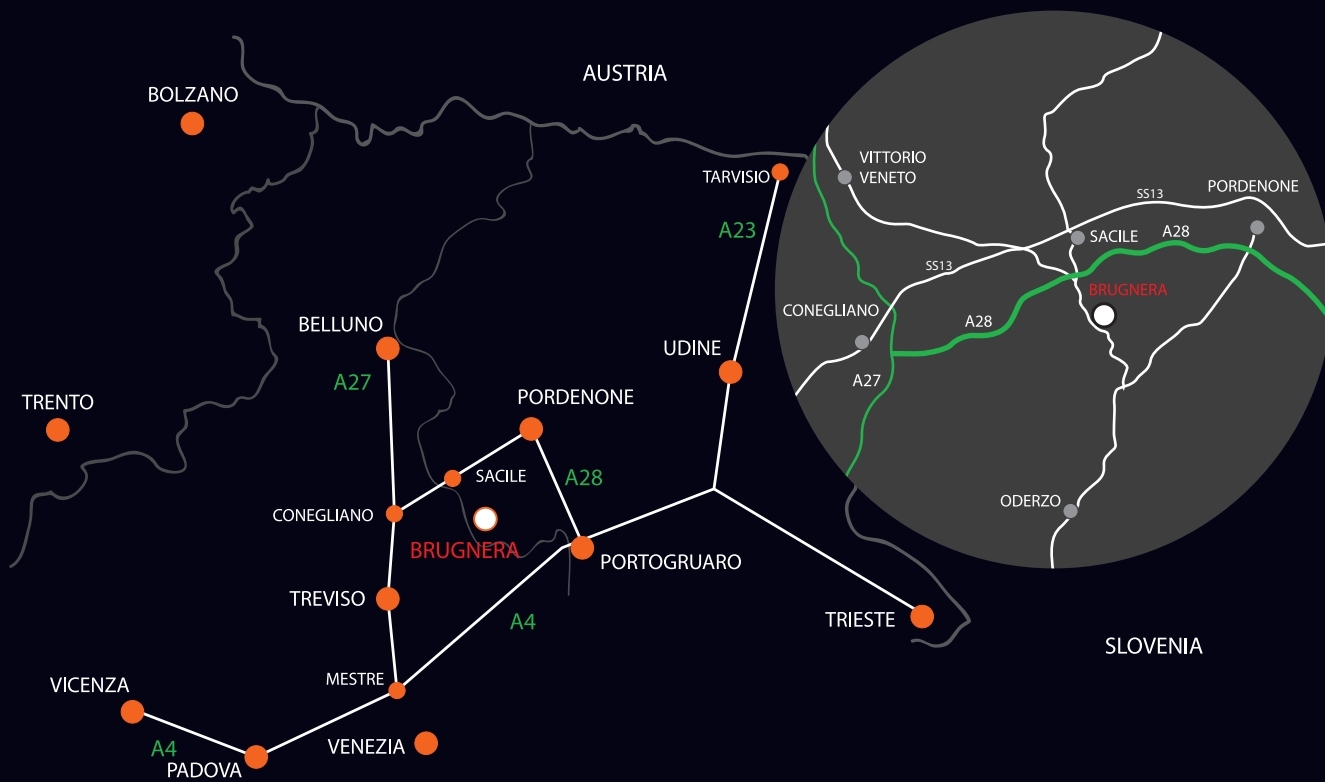
123  
  
**20502021HL**



= Ø 5 mm  
 = 10.000 pcs.

123  
  
**20302020AA**

9,5	11,5



[www.italianaferramenta.com](http://www.italianaferramenta.com)